

DELI DISPLAY CASE

REFRIGERATED WITH BUTCHER HOOKS

EVCAG 2500

FEATURES

- Internal and external build in brushed AISI 304 stainless steel
- Bottom tray with adjustable tilt level
- Comes hanging bar to hang meat on butcher hooks
- Removable bottom panels without the need of tools
- Customizable color options for front lower finish
- Back closure with tempered glass sliding doors, low emission
- Brushed stainless steel top
- With tempered, double and thermo-insulating front glass, retractable and removable through aluminum frame system



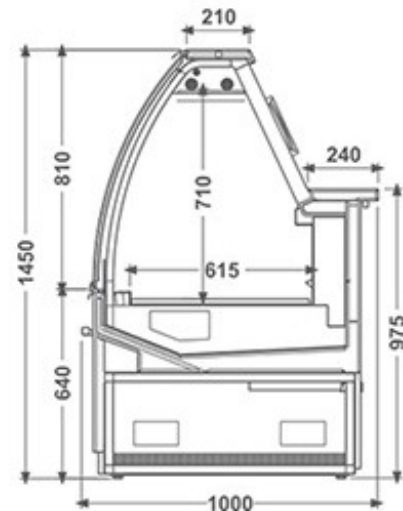
Front Glass opens for easy cleaning/access



Remote Condensing Unit



SIDE VIEW



*Image shows opening front glass. Shelves are not included in this model

SPECIFICATIONS

MODEL	Dimensions (in)			Amps	Motor (HP)	Volts	Phase	Watts	Refrigerant
	Length	Depth	Height						
EVCAG 2500	98.4	39	57	12	2	220v	Single	2640	R-404a

*Electrical information above of Remote Condensing Unit. Display is 220v/1P/3A as it has only lights and fans.

Nacional Frio reserves the right to make changes to the design or specifications without prior notice.

⚠ WARNING: This product can expose you to chemicals including lead, which are known to the State of California to cause cancer, birth defects, or other reproductive harm. For more information, go to www.p65warnings.ca.gov.