

Convection Oven

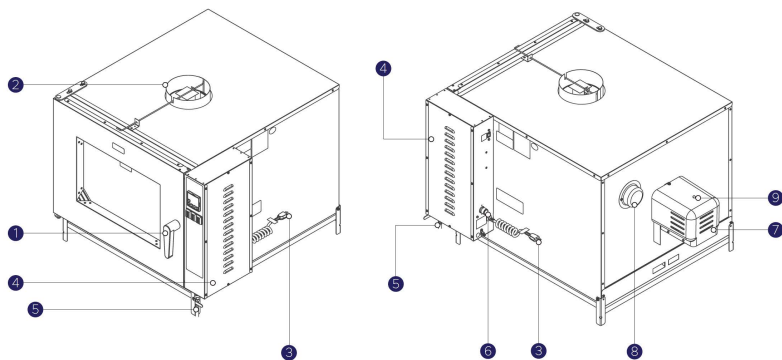
Natural Gas with Legs/Casters

MODEL NUMBER

PRP-5000 NG

SPECIAL FEATURES

- 5 Pan/Tray capacity
- Digital Control Panel
- Interior light controlled by rocker switch
- Steam injection standard on all ovens
- Steam injects automatically at preselected time(s)
- Casters to facilitate cleaning and movement
- Controls allow for steady and progressive control of heat
- Tempered glass door
- Motor: 1/4 HP / 127V / 387W
- Gas Inlet Size: 1/2 inches



1. Door Handle
2. Manual Steam Vent
3. Power Cable
4. Control Panel Housing
5. Gas Inlet Pipe

6. Steam Injector Water Inlet
7. Motor
8. Access panel (Chamber Light)
9. Motor Cover

TECHNICAL DATA

Width	35.8"
Depth	48.4"
Height	60.2"
Weight	282 lbs
Voltage	127V
Wattage	387W
Amperage	3A
Power Type	Gas
Water Pressure	3-114 PSI